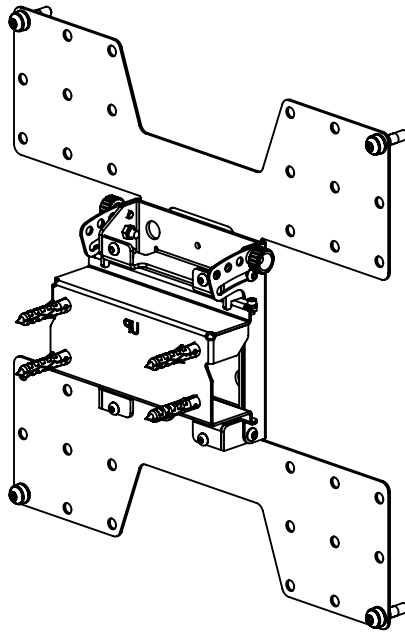


Installation Guide

WT4410AA
Tilting wall mount for screens up to 65"
(VESA 200 to VESA 400)





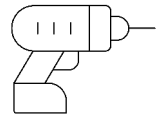
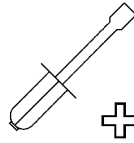
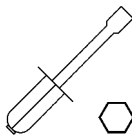
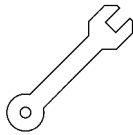
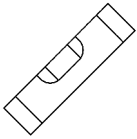
CAUTION

- This product must be installed by a professional installer.
- This product is designed to be wall mounted. Before installing, please verify that the wall can bear the combined weight of the solution and hardware. Standard fixings for wooden material and fixings for concrete material are supplied as part of the product, but they will not be suitable for all types of walls. It is the responsibility of the installer to use the appropriate fixings for the specific installation location.
- The maximum weight limit for this product is 80 kg. Do not exceed the stated weight limit.
- This product is intended for indoor use only.
- Please don't power the hardware, until the entire solution is fully assembled.
- If these installation instructions are not followed precisely, it could lead to product failure and potential personal injury.
- Ergonomic Solutions / SpacePole inc. cannot be held responsible for any product failure or personal injury, if the installation instructions are not followed correctly.
- Ergonomic Solutions / SpacePole inc. cannot be held responsible for any product failure or personal injury, if any modifications have been made to the product by the customer.

MAINTENANCE

- It is the responsibility of the customer to periodically check the installation and ensure it is clean, all air ventilation holes are free and all fixings are tightened correctly.

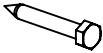
Tool list



Box content



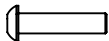
4x wall plug 10x50



4x Wood screw 8x60



8x $\varnothing 8/\varnothing 16$ washer



4x M8x35



4x M8x25



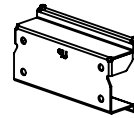
4x M8x16



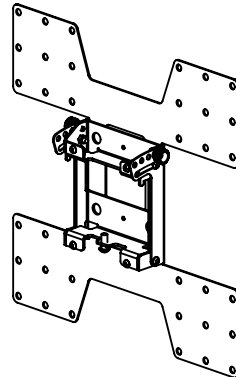
4x M6x12



4x Spacer $\varnothing 8.4 \times \varnothing 15.5 \times 5$

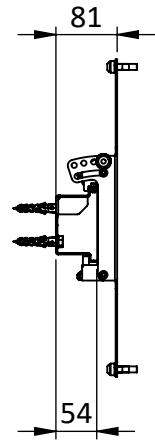
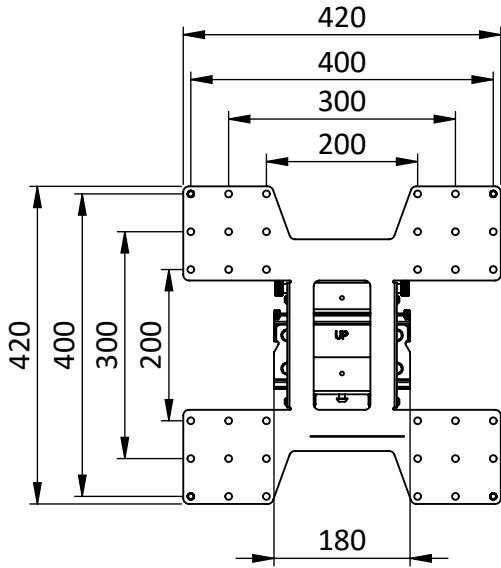


1x (A)



1x (B)

Dimensions [mm]



Steps

Step 1: Mount wall bracket (A) on to the wall

Parts needed

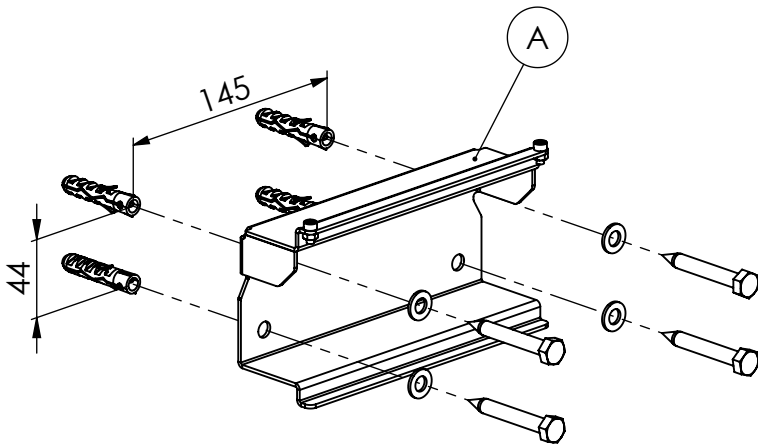
1 x A

4 x nylon wall plug

4 x $\text{Ø}8$ / $\text{Ø}16$ washer

4 x 8mm wood screw

WARNING: It is the responsibility of the installer to use the correct fixings for the specific installation site.



Steps

Step 2: Mount the VESA bracket onto the screen

Parts supplied

1 x C

4 x M6x12 screw

4 x M8x16 screw

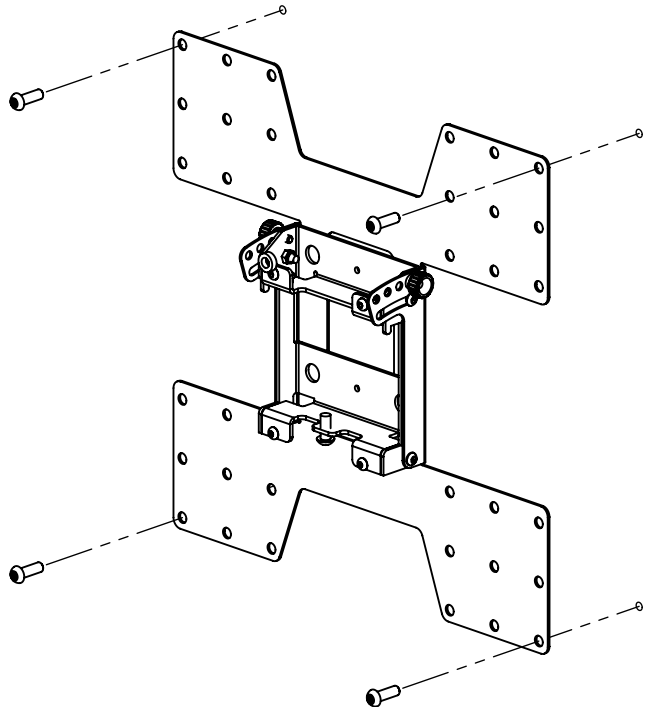
4 x M8x25 screw

4 x M8x35 screw

4 x $\varnothing 8/\varnothing 16$ washer

4 x $\varnothing 8.4/\varnothing 15 \times$ black spacer

WARNING: Select appropriate screw length/size, combine with washer/spacer if needed.



Steps

Step 3: Tilt the screen/bracket

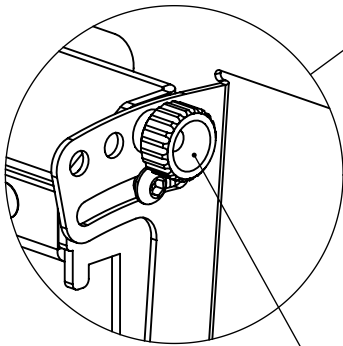
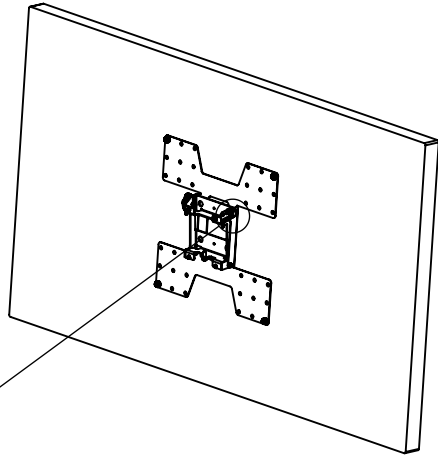
Tilt options:

0 degrees

5 degrees

10 degrees

15 degrees

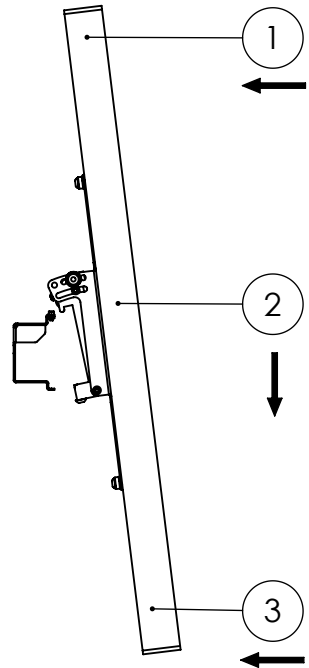
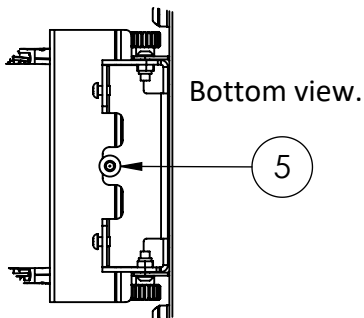
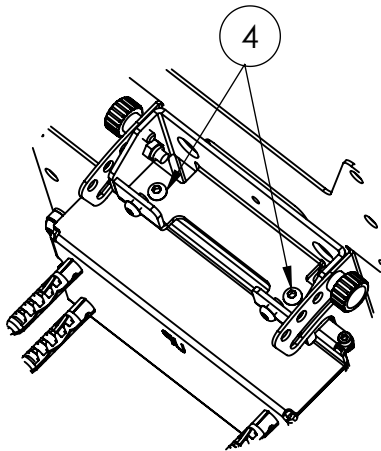


Remove 2x thumb screws and tilt to required angle, insert and tighten the thumb screws again

Steps

Step 4: Hook the screen on to the wall bracket and level the screen

- 1 Attach to the top of the wall mount.
- 2 Lower the screen.
- 3 Swing in the bottom of the screen.
- 4 Level the screen with levelling screws.
- 5 Secure VESA bracket (B) with screw underneath.



This page intentionally left blank

This page intentionally left blank

This page intentionally left blank

Need help? Contact us



ergonomic.solutions/about/contact-us

spacepole.com/about/contact-us